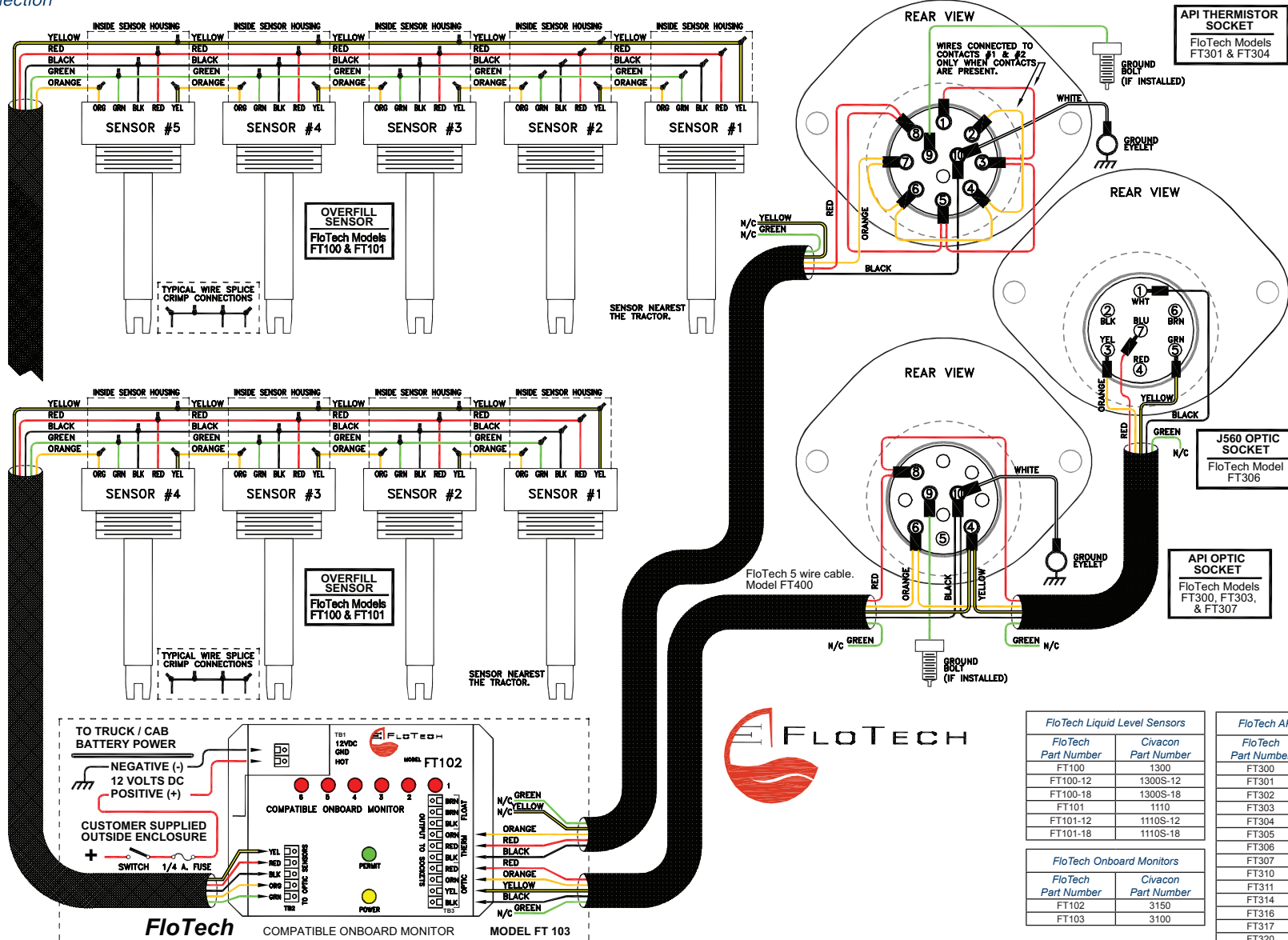




The Right Connection®

API Optic System 5 Wire With Onboard Monitor



FloTech Liquid Level Sensors		FloTech API & J560 Sockets	
FloTech Part Number	Civacon Part Number	FloTech Part Number	Civacon Part Number
FT100	1300	FT300	4100
FT100-12	1300S-12	FT301	4400
FT100-18	1300S-18	FT302	4600
FT101	1110	FT303	4200
FT101-12	1110S-12	FT304	4401
FT101-18	1110S-18	FT305	4500
		FT306	4300
FloTech Onboard Monitors		FT307	4200
FloTech Part Number	Civacon Part Number	FT310	4110
FT102	3150	FT311	4410
FT103	3100	FT314	4411
		FT316	4310
		FT317	4210
		FT320	4150
		FT321	4450

USE THE P/N CROSS REFERENCE LISTS ►

Dixon Bayco
 800 High Street • Chestertown, MD 21620
 ph 800.355.1991 • fx 800.283.4966
 dixonvalve.com